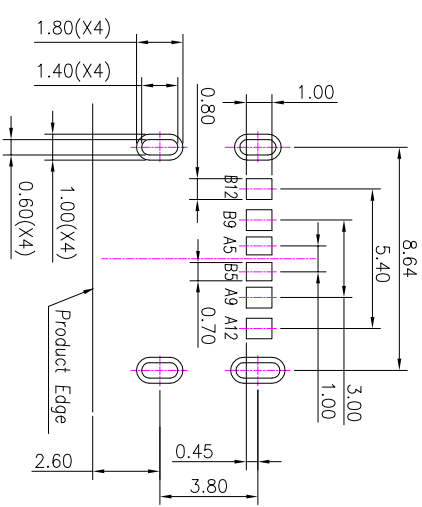
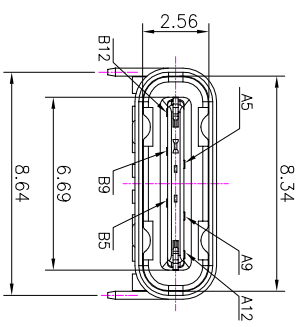
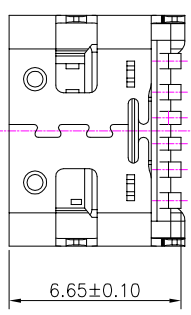
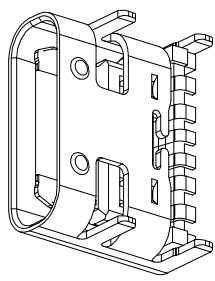
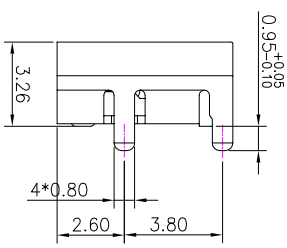
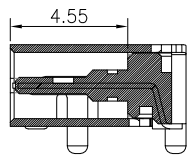
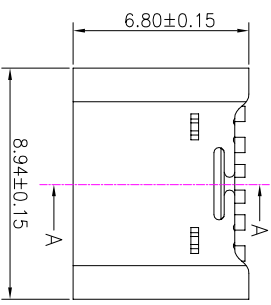
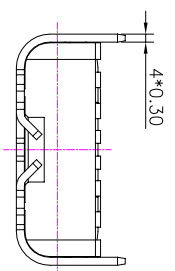


RoHS



RECOMMENDED P.C.B. LAYOUT
TOLERANCE UNSPECIFIED ±0.05mm

Specification:

1. Electrical Characteristics:
 - Contact Current Rating: 5 Amperes Max.
 - Rated Voltage: 20V Max.
 - Dielectric Withstanding Voltage: AC 100V r.m.s.
 - Insulation Resistance: 100 MΩ Minimum.
 - Contact Resistance: 40 mΩ Maximum.
2. Environmental:
 - Operating Temperature: -40°C~+85°C.
3. Mechanical Characteristics:
 - Insertion Force: 5~20Nf.
 - Withdrawal Force: 6~20Nf.
 - Durability Cycles: 3000 Cycles.

A5	CC1	B5	CC2
A9	VBUS	B9	VBUS
A12	GND	B12	GND
PIN	SIGNAL NAME	PIN	SIGNAL NAME

SHINHWHA TECH CO., LTD

USB C 6P FEMALE SMT

UNITS	SCALE	REV.	SHEET	TITLE	
mm	1:1	B3	1 OF 1	SHINHWHA TECH CO., LTD	
GENERAL TOLERANCE		DATE	2017.07.12	DR.	LIN YUN
0, ±0.30	±0.30	CHK.	LI JY	MATL	SEE TABLE
0.0 ±0.20	±0.20	APPD.	ZHANG	DWG.NO.	A
0.0 ±0.15	±0.15			PART NO.	SEE TABLE
0.0 ±1°	±1°			SIZE	A4